

Steam heating coil type ST

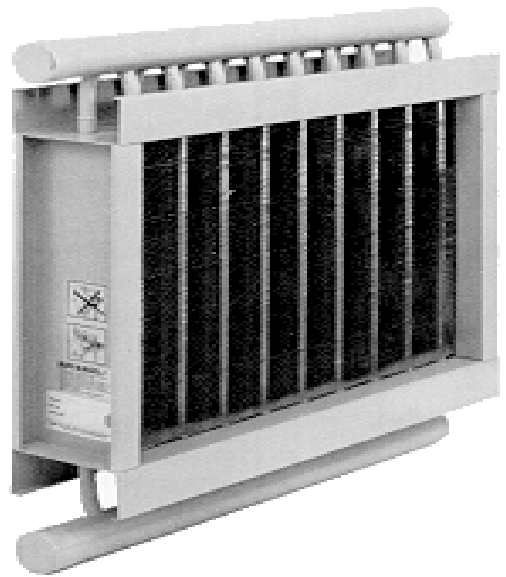
Applications

ttc steam heating coil type ST applications:

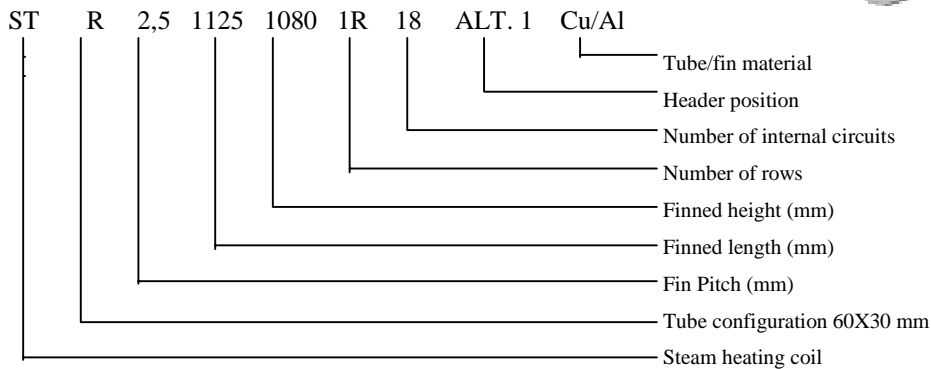
- air heating in air conditioning or process applications using dry saturated steam.

Maximum design parameters

- ttc steam heating coils have a maximum of 2 rows per section.
- maximum working pressure/temperature with copper tubes 3 bar/142°C.
- maximum working pressure/temperature with stainless steel tubes 24 bar/224°C.

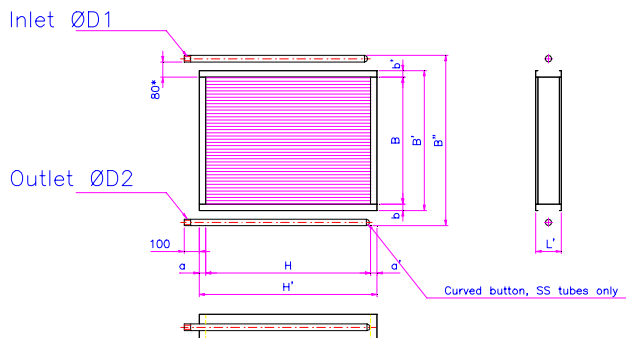


Coil nomenclature:



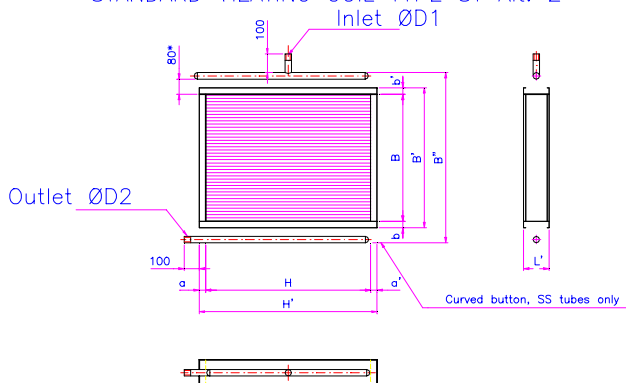
Dimensions

STANDARD-HEATING COIL TYPE ST Alt. 1



B-maximum dimension 6480 mm.
H-Multiples of 60 mm
maximum 1500 mm.
 $L' = 30 \times R + 70$ mm
Max. 50 circuits
Circuits = $\frac{H}{60} \times R$
*: 110 mm with stainless steel headers.

STANDARD-HEATING COIL TYPE ST Alt. 2



B-maximum dimension 6480 mm.
H-Multiples of 60 mm
maximum 1500 mm.
 $L' = 30 \times R + 70$ mm Max. 50 circuits
Circuits = $\frac{H}{60} \times R$
*: 110 mm with stainless steel headers.



Postal Address
P.O. Box 54, N-1851 Mysen

Telephone
+47 69 84 51 00

Bank Acc. No.
6116 05 17572

Company Reg. No.
947 473 697 MVA

Visiting Address
Stabburveien 10, Slitu, Norway

Facsimile
+47 69 89 46 30

Girobank Acc.
0804 5216544

E-mail
sales@ttc.no



Steam heating coil type ST

Design requirements

To enable us to design steam coils we require the following:

- Air side: Three of the following values
- Air volume
 - Air on temperature
 - Air off temperature
 - Duty
- Steam side: One of the following values:
- Steam pressure
 - Steam temperature

The heating coils are designed using advanced computer programs. A data sheet is provided upon request.

Standard connections

Standard header material is carbon steel with BSP connections for a maximum steam pressure of 3 bar. For a steam pressure greater than 3 bar coils would be supplied with stainless steel headers. Steam coils are supplied without vent and drain.

Headers Carbon and stainless steel

Number of circuits	Standard connections			
	Inlet		Outlet	
1- 15	1"	34,2	1	34,2
16 - 30	1 1/2"	48,8	1"	34,2
31 - 50	2 1/2"	76,6	1'	34,2
51 - 60	2 x 1 1/2'	2 x 48,8	2 x 1"	2 x 34,2
61 - 100	2 x 2 1/2"	2 x 76,6	2 x 1'	2 X 34,2

Maximum coil width 1500 mm.
Maximum number of rows per header is 2.

Installation

The steam coil should be installed in such a way that no stress is transferred to the coil tubes/headers during operation due to expansion/contraction of steam supply pipework, coil headers or tubes.



Postal Address
P.O. Box 54, N-1851 Mysen

Telephone
+47 69 84 51 00

Bank Acc. No.
6116 05 17572

Company Reg. No.
947 473 697 MVA

Visiting Address
Stabburveien 10, Slitu, Norway

Facsimile
+47 69 89 46 30

Girobank Acc.
0804 5216544

E-mail
sales@ttc.no